

**DESCRIPTION**

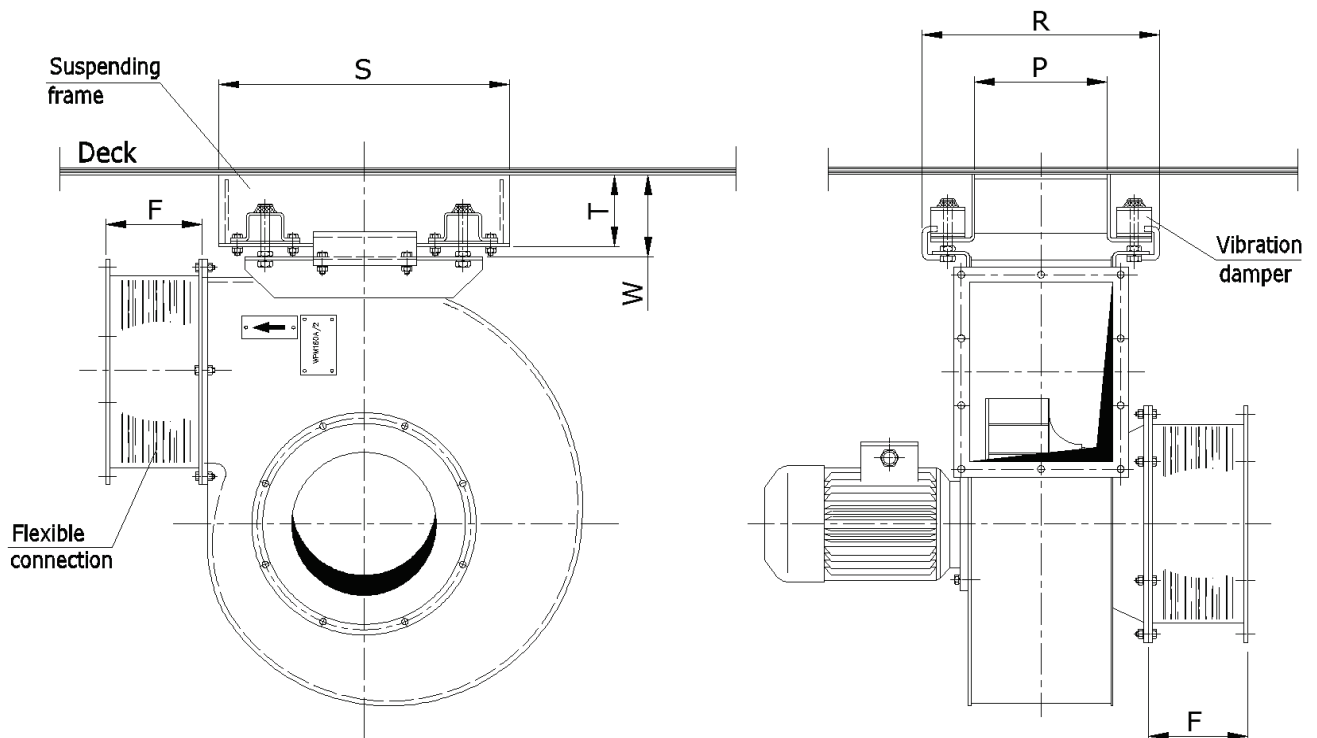
Upper resilient mounts of centrifugal fans WPM outfitted with flanged motors – design B5 significantly reduces the transmission of vibrations and structure-born noise generated by fans installed in ships ventilation systems. Consists of steel framing for welding to steel deck and a set of vibration dampers. Performance and number of dampers are selected individually in dependence of total weight of fan to be associated, as well as speed of fan’s impeller. Fan inlet and outlet are provided with flexible joints made of non-combustible material and sealed with rubber gasket. Surface treatment: painted with marine epoxy paint SWA 7423-014-250.

Ship structure in way of installation of fan to be suitably stiffened. Plane of suspending frame to be positioned horizontally.

TECHNICAL SPECIFICATION & DIMENSIONS

Fan type	DN	F	P	R	S	T	W	Weight* [kg]
WPM 125A	125	125	110	220	250	75	90	2.87
WPM 160	160	125	120	245	300	75	90	3.44
WPM 160A	160	125	135	260	300	75	90	3.44
WPM 200	200	125	155	280	350	75	90	4.02
WPM 200A	200	150	175	300	350	75	90	4.02
WPM 250	250	150	200	345	400	75	90	5.06
WPM 250A	250	150	225	370	400	75	90	5.05
WPM 315	315	150	250	395	500	75	90	6.32
WPM 315A	315	150	280	425	500	75	90	6.32

* Weight of the set without fan


MARKING

Example: upper resilient mounts (type U) of centrifugal fan WPM 315: WPM 315-U.
Fan to be ordered separately.