

DESCRIPTION

Bulkhead vents VN are destined for installation in forced and natural ventilation systems of seagoing ships and offshore objects. They are provided with weather-tight cover and shall be fitted on external walls. Pipe and elbows are made of steel and fitted with brass swing nuts. Bolts and pins are made of stainless steel, gasket – rubber profile. Surface treatment: painted with epoxy marine paint SWA 7423-014-250 (hot dip galvanized on request).

TECHNICAL SPECIFICATION & DIMENSIONS

Execution:

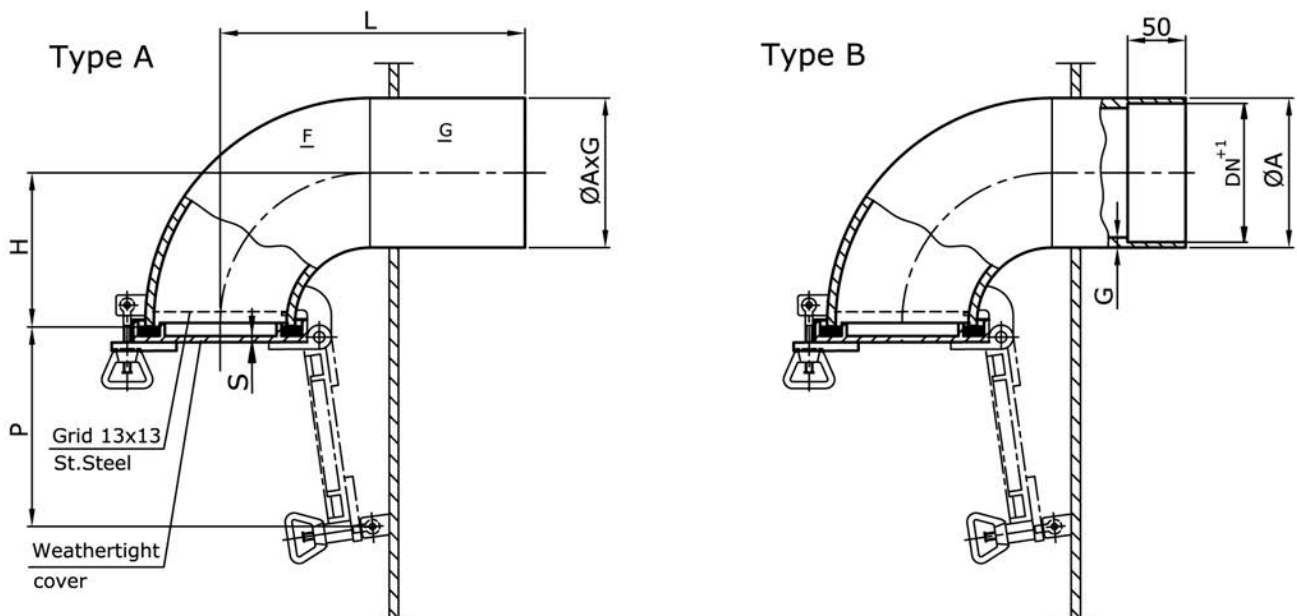
Z – with weather-tight cover
N – without closing device

Types:

A – without spiral pipe connection
B – with spiral pipe connection

Dimension L must be specified by the Customer.

Dimensions [mm]					
DN	ØAxG	H	F	S	P
80	88.9x6.3	114	4.0	4	135
100	114.3x8.0	152	4.5	4	160
125	139.7x8.8	181	8.8	4	190
160	168.3x8.8	229	4.5	5	230
200	219.1x10.0	305	4.5	5	280
250	273.0x10.0	381	6.3	5	350
315	323.9x10.0	457	8.8	5	420



MARKING

Example: VN bulkhead vent of DN=125mm, of length L=200mm, with weatertight cover Z, type A: VN 125-200-ZA-St