

DESCRIPTION

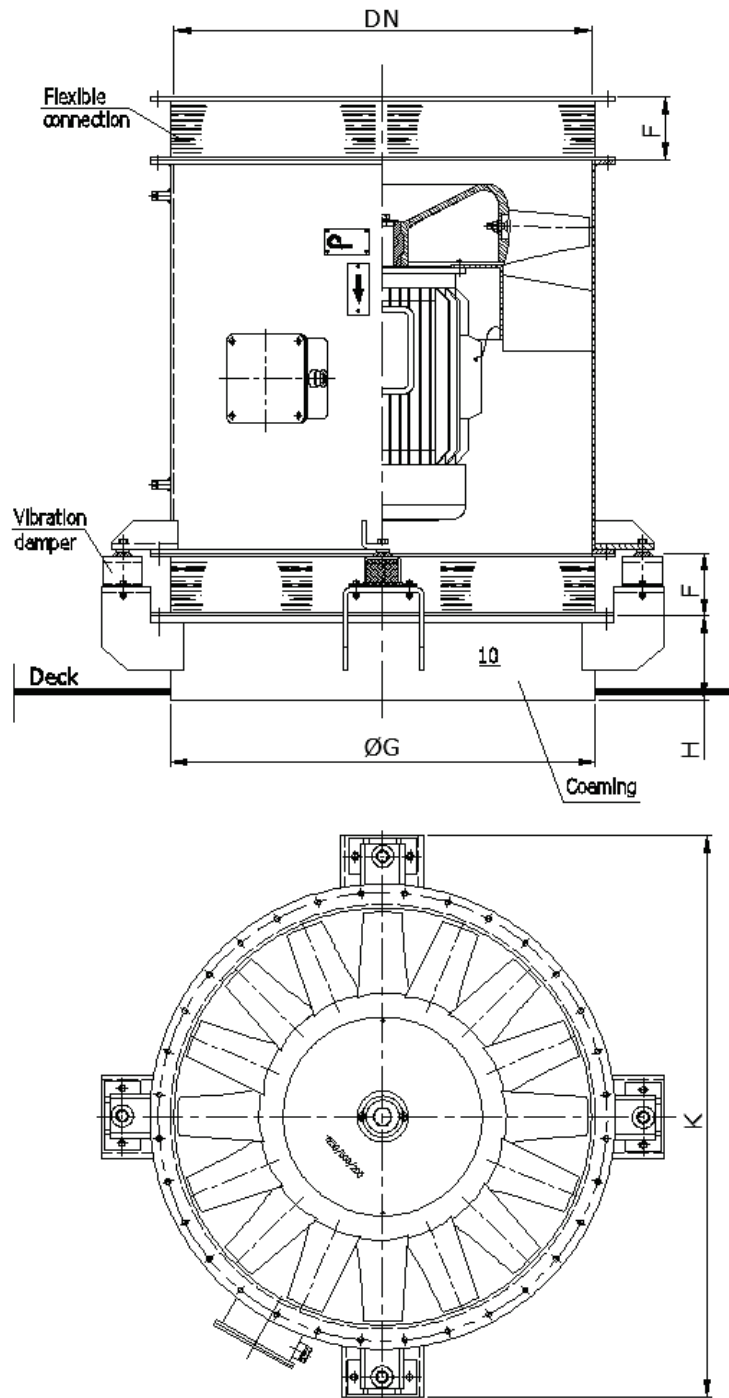
Resilient mounts of axial-flow fans WMOR execution L – light significantly reduces the transmission of vibrations and structure-born noise generated by fans installed in ships ventilation systems. Vertical resilient mounts of axial-flow fans consists of steel coaming for welding to steel deck and a set of vibration dampers. Performance and number of dampers are selected individually in dependence of total weight of fan to be associated, as well as speed of fan's impeller. Fan is connected to the coaming with a flexible joint made of non-combustible material and sealed with rubber gaskets. Casing of fan is fitted with suspending brackets welded to the housing. Surface treatment: painted with marine epoxy paint SWA 7423-014-250.

Ship structure in way of installation of fan to be suitably stiffened. Plane of coaming flange to be positioned horizontally. Drawing reflects an arrangement with supply fan. Exhaust fans are mounted with impeller in lower and motor in upper position.

TECHNICAL SPECIFICATION & DIMENSIONS

Fan type	DN	F	G	H	K	Weight* [kg]
WMOR 200	200	125	220	150	380	12,6
WMOR 250	250	125	270	150	430	15,8
WMOR 315	315	125	335	150	500	20,8
WMOR 355	355	125	375	150	545	23,2
WMOR 400	400	125	420	150	590	25,1
WMOR 450	450	125	470	150	660	28,2
WMOR 500	500	150	520	150	720	31,1
WMOR 560	560	150	580	150	825	38,4
WMOR 630	630	150	650	170	880	43,1
WMOR 710	710	150	730	170	980	48,0
WMOR 800	800	150	820	170	1060	54,7
WMOR 900	900	150	920	170	1220	62,3
WMOR 1000	1000	150	1020	170	1360	68,3
WMOR 1120	1120	150	1140	200	1480	87,6
WMOR 1250	1250	150	1270	200	1610	98,3
WMOR 1400	1400	150	1420	200	1770	108,3
WMOR 1600	1600	150	1620	200	1980	123,6

* Weight of the set without fan



MARKING

Example: vertical resilient mounts of axial-flow fan WMOR 1000-L on standard coaming of height H=170:
WMOR V-1000-170.

Fan to be ordered separately. Higher coaming on request – height to be specified by the Customer.