

DESCRIPTION

The volume control damper is installed in a HVAC system where needed for adjustment of the air flow to achieve the correct supply or exhaust air quantities in the different areas served by the system. The rectangular volume control damper consists of one or several movable damper blades, mounted in a galvanized steel frame with flanges. Its temperature operation range is up to 100°C (optionally up to 200°C). The UTK dampers are used to shut off, adjust or control airflow in ductwork in applications where damper leakage does not have significant importance. In the closed position the UTK damper leakage class is 1 in accordance with the EN1751 standard.

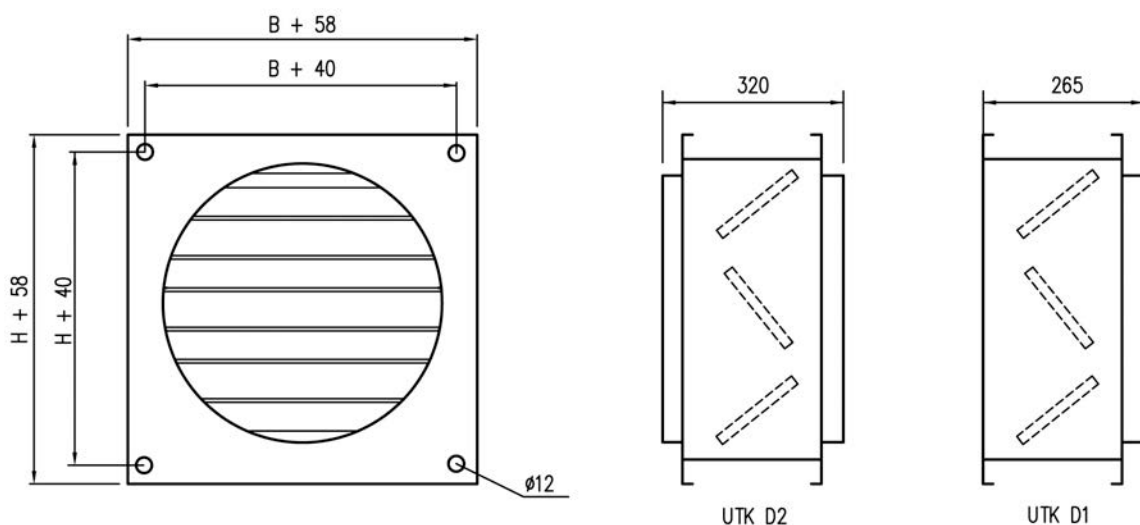
TECHNICAL SPECIFICATION & DIMENSIONS

- material casing: galvanized steel (stainless steel AISI 316 also available)
- material blades: galvanized steel (stainless steel AISI 316 also available)
- material blade gaskets: silicon (heat-proof model: LTE rubber)
- material duct gasket: rubber compound (circular connection)
- material slide bearings: alloy of polyamide and molybdenum sulphide (self-lubricated heat-proof model stainless steel AISI 316 also available)
- material drive shaft: galvanized steel

Standard frame material thickness is 1mm.

Circular connection

Dimension [mm]		Weight [kg]		Dimension [mm]		Weight [kg]	
D1/D2 ØD	BxH	UTK D1	UTK D2	ØD	BxH	UTK D1	UTK D2
100	150x150	-	-	400	400x400	9	11
125	150x150	-	-	500	500x500	12	15
160	200x200	4	4	630	600x600	16	21
200	200x200	4	5	800	800x800	23	30
250	250x250	5	6	1000	1000x1000	32	42
315	300x300	7	9	1250	1250x1250	51	66

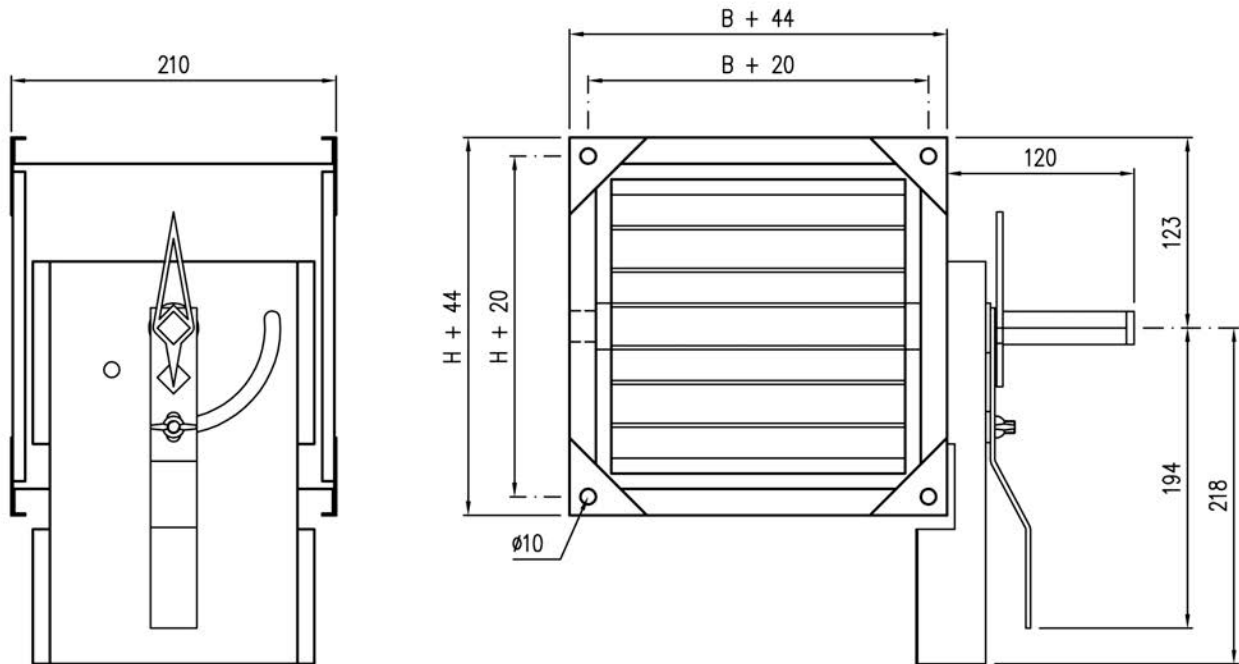


Weights [kg] of standard UTK dampers without actuator

H (height) [mm]	B (width) [mm]											
	100	200	300	400	500	600	700	800	900	1000	1100	1200
200	3	3	4	5	6	6	7	8	8	9	10	16
300	4	5	6	6	7	8	9	9	10	11	12	18
400	5	5	6	7	8	9	10	10	11	12	13	20
500	5	6	7	8	9	10	11	12	13	14	15	21
600	6	7	8	9	10	11	12	13	14	15	17	23
700	7	8	9	9	11	12	13	15	16	17	18	25
800	7	9	10	11	12	14	15	16	18	19	20	27
900	8	9	11	12	13	15	16	18	19	20	22	29
1000	9	1	12	13	15	16	18	19	21	22	24	31
1100	9	11	13	14	16	17	19	20	22	24	25	32
1200	10	12	14	15	17	19	20	22	24	25	27	35
1300	11	13	14	16	18	20	22	23	25	27	29	36
1400	12	14	16	17	19	21	23	25	27	29	31	38
1500	12	14	16	18	20	22	24	26	28	30	32	40
1600	13	15	17	20	22	24	26	28	30	32	34	42
1700	14	16	18	20	23	25	27	29	31	34	36	44
1800	15	17	19	22	24	26	29	31	33	35	38	46
1900	15	18	20	22	25	27	30	32	34	37	39	47
2000	16	19	21	24	26	29	30	34	36	39	41	49
2100	17	19	22	25	27	30	32	35	38	40	43	51
2200	18	20	23	26	28	31	34	37	39	42	45	53
2300	18	21	24	27	29	32	35	38	41	44	46	55
2400	19	22	25	28	31	34	37	40	42	45	48	57

H (height) [mm]	B (width) [mm]											
	1300	1400	1500	1600	1700	1800	1900	2000	2100	2200	2300	2400
200	17	17	18	21	21	22	23	25	26	27	27	28
300	20	20	21	24	25	26	26	29	30	31	32	32
400	21	22	23	26	27	27	28	31	32	33	34	35
500	23	24	25	28	29	30	31	34	35	36	37	38
600	25	26	27	31	32	33	34	37	38	39	40	41
700	27	28	29	33	34	35	36	40	41	42	43	44
800	29	31	32	35	37	38	39	43	44	45	47	48
900	31	33	34	38	39	40	42	45	47	48	50	51
1000	34	35	37	40	42	43	45	49	50	52	53	55
1100	35	37	39	42	44	46	47	51	53	54	56	58
1200	38	40	41	45	47	49	51	54	56	58	60	62
1300	40	41	43	47	49	51	53	57	59	61	63	65
1400	42	44	46	50	52	54	56	60	62	64	66	68
1500	44	46	48	52	54	56	59	63	65	67	69	71
1600	46	48	51	55	57	59	62	66	68	70	73	75
1700	48	50	53	57	59	62	64	69	71	73	76	78
1800	50	53	55	60	62	65	67	72	74	77	79	82
1900	52	55	57	62	65	67	70	74	77	79	82	85
2000	55	57	60	65	67	70	73	78	80	83	86	88
2100	56	59	62	67	70	72	75	80	83	86	89	91
2200	59	62	65	70	73	76	78	83	86	89	92	95
2300	61	64	67	72	75	78	81	86	89	92	95	98
2400	63	66	69	75	78	81	84	89	92	95	99	102

Rectangular connection



Flange connection

