

**DESCRIPTION**

Ventilation louvers with weather-tight cover are destined for installation on steel or aluminum walls of superstructure on seagoing ships as air supply or exhaust units of ventilation systems. Frames, blades and covers are made of mild steel St3Sx or aluminum alloy PA2. Nuts of hinges and closing devices – brass, bolts and shafts are made of stainless steel and packing of covers – rubber profile type PIII 12/8. Steel louvers frame and cover painted with marine epoxy paint SWA 7423-013-250. Aluminum louvers do not require any preservation.

TECHNICAL SPECIFICATION & DIMENSIONS

Nominal diameters: DN=100, 125, 160, 200 mm.

Material:

S – steel louver

A – aluminum louver

Executions:

D – with downwards opened cover

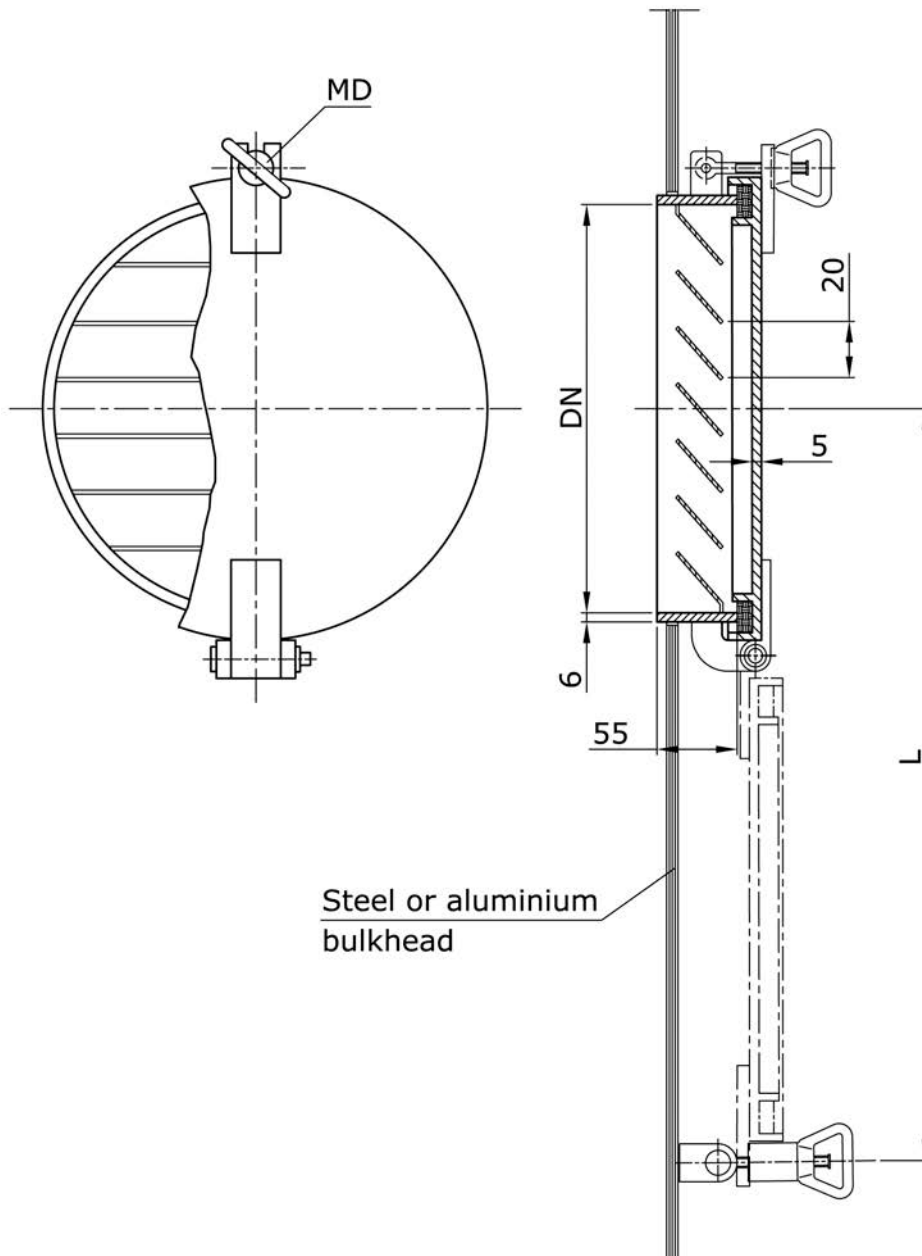
G – with upwards opened cover

L – with cover opened to the left

P – with cover opened to the right

N – louver without cover

Dimensions [mm]			Weight [kg]	
DN	L	MD	Steel	Al
100	235	M8	3.5	1.6
125	280	M8	4.2	1.9
160	325	M8	5.2	2.2
200	390	M10	7.5	3.1



MARKING

Example: circular louver of DN=100mm, made of steel S and with downwards opened cover D: CIRCULAR LOUVER 100-SD