

DESCRIPTION

Marine ventilation-heating device WUG is destined for heating of air supplied by spiral ducting to ship's compartments (galleys, workshops, accommodation spaces, wheelhouse windows defroster systems etc. Marine ventilation-heating device WUG consists of the following components:

- marine pipe fan WMR (see 73-18-200/210),
- electric air heater NER (see 73-23-800),
- control switchboard TSZ.

Control switchboard TSZ consist of box comprising Start-Stop push buttons, thermal/short-circuit protections, contactor, connecting strip and cable glands.

The NER air heater to be fitted directly on suitably clamped spiral pipework. Heater shall be always installed after the WMR fan.

On request device can be delivered with other rated voltage and heating capacity, agreed with the maker.

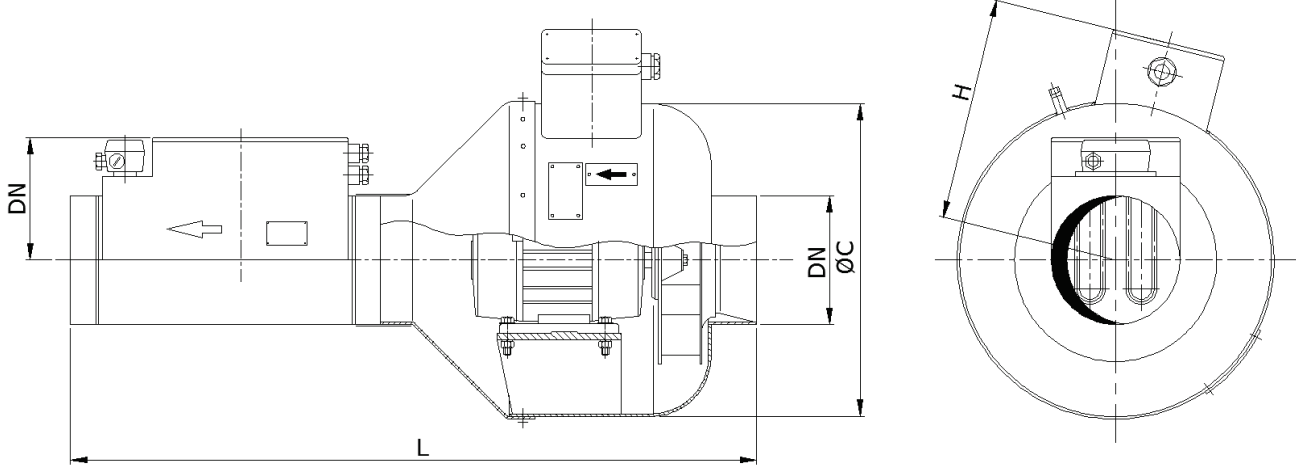
MARKING

Example: WUG marine ventilation-heating device of nominal diameter 200 mm, with electric heater NER 200/6.0 of heating capacity 6.0 kW and with fan WMR 200/M: MARINE VENTILATION-HEATING DEVICE WUG-200/M/6.0

TECHNICAL SPECIFICATION & DIMENSIONS

WUG	125/L	160/L	200/M	200/L
DN	125	160	200	200
C	264	338	338	418
L	715	740	800	900
H	185	225	225	266

Device	Heater	Fan	Supply	Heating capacity
			V/Hz	kW
WUG 125/L/2.0	NER 125/2.0	WMR 125/L	3x380 50	2.0
WUG 160/L/2.5	NER 160/2.5	WMR 160/L		2.5
WUG 200/M/6.0	NER 200/6.0	WMR 200/M		6.0
WUG 200/L/9.0	NER 200/9.0	WMR 200/L		9.0



CONTROL SWITCHBOARD TSZ

