

**DESCRIPTION**

Bulkhead vents VL are destined for installation in forced and natural ventilation systems of seagoing ships and offshore objects. They are provided with weather-tight rotating lid and shall be fitted on external walls. Pipe and elbows are made of steel. Bolts and sleeves are made of stainless steel, gasket – rubber profile. Surface treatment: painted with epoxy marine paint SWA 7423-014-250 (hot dip galvanized on request).

**TECHNICAL SPECIFICATION & DIMENSIONS**
**Execution:**

Z – with weather-tight cover

N – without closing device

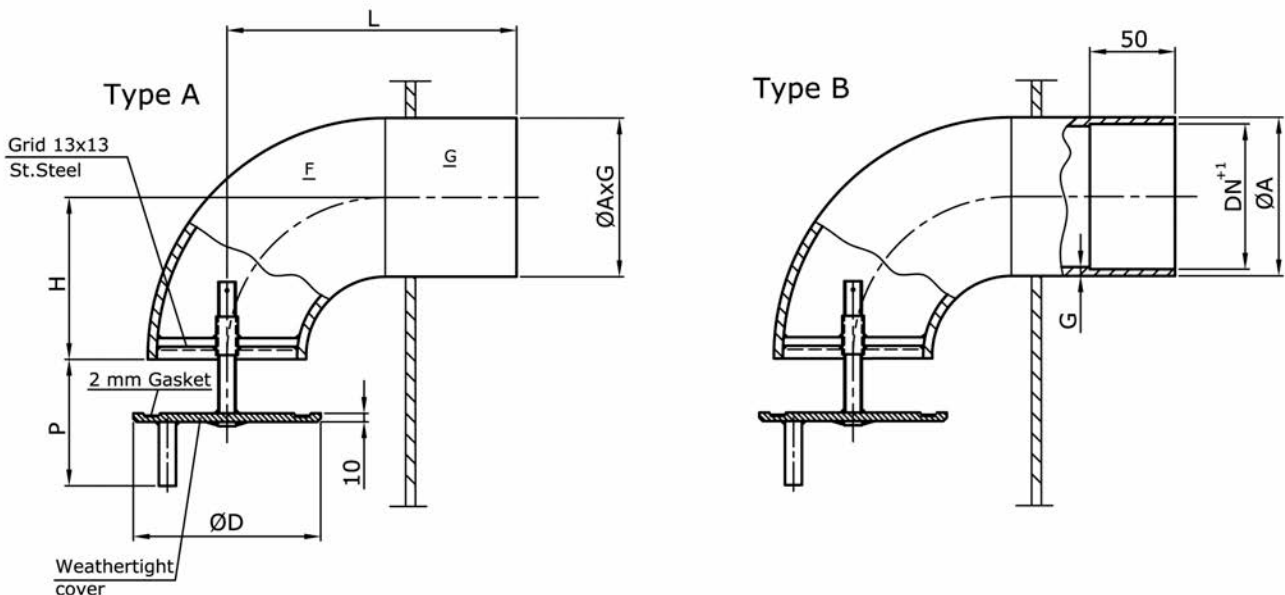
**Types:**

A – without spiral pipe connection

B – with spiral pipe connection

Dimension L must be specified by the Customer.

Dimensions [mm]					
DN	ØAxG	H	F	ØD	P
80	88.9x6.3	114	4.0	114	120
100	114.3x8.0	152	4.5	150	130
125	139.7x8.8	181	8.8	175	145
160	168.3x8.8	229	4.5	320	165
200	219.1x10.0	305	4.5	270	190
250	273.0x10.0	381	6.3	320	220
315	323.9x10.0	457	8.8	390	260


**MARKING**

**Example:** VL bulkhead vent of DN=125mm of length L=200mm, with weathertight cover Z and A type: VL 125-200-ZA-St