

DESCRIPTION

Ventilation goose neck heads GS are destined for installation in forced and natural ventilation systems and venting of void spaces on seagoing ships as well as on offshore objects. Pipe and elbows are made of steel and fitted with brass swing nuts. Bolts and pins are made of stainless steel. Gasket – rubber profile. Surface treatment: hot dip galvanized (painted with epoxy marine paint SWA 7423-014-250 on request).

TECHNICAL SPECIFICATION & DIMENSIONS
Execution:

Z – with weather-tight cover

N – without closing device

Types:

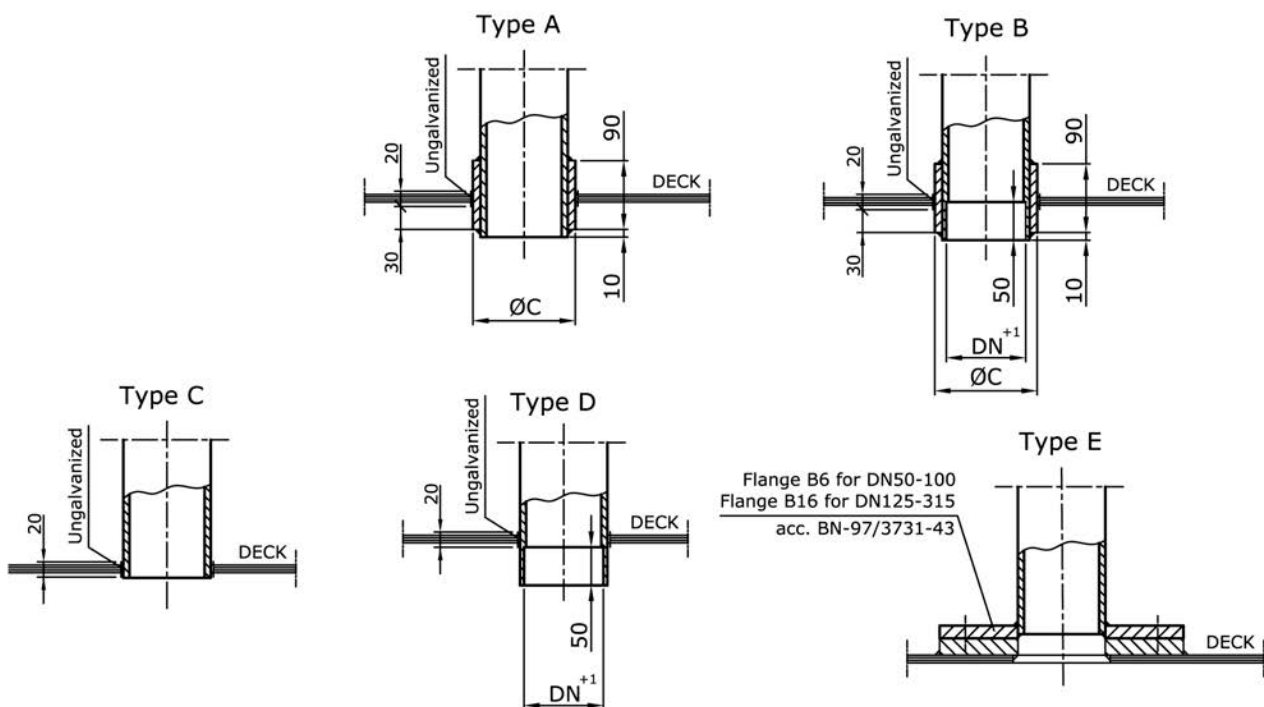
A – with reinforcing sleeve

B – with reinforcing sleeve and with spiral pipe connection

C – without reinforcing sleeve

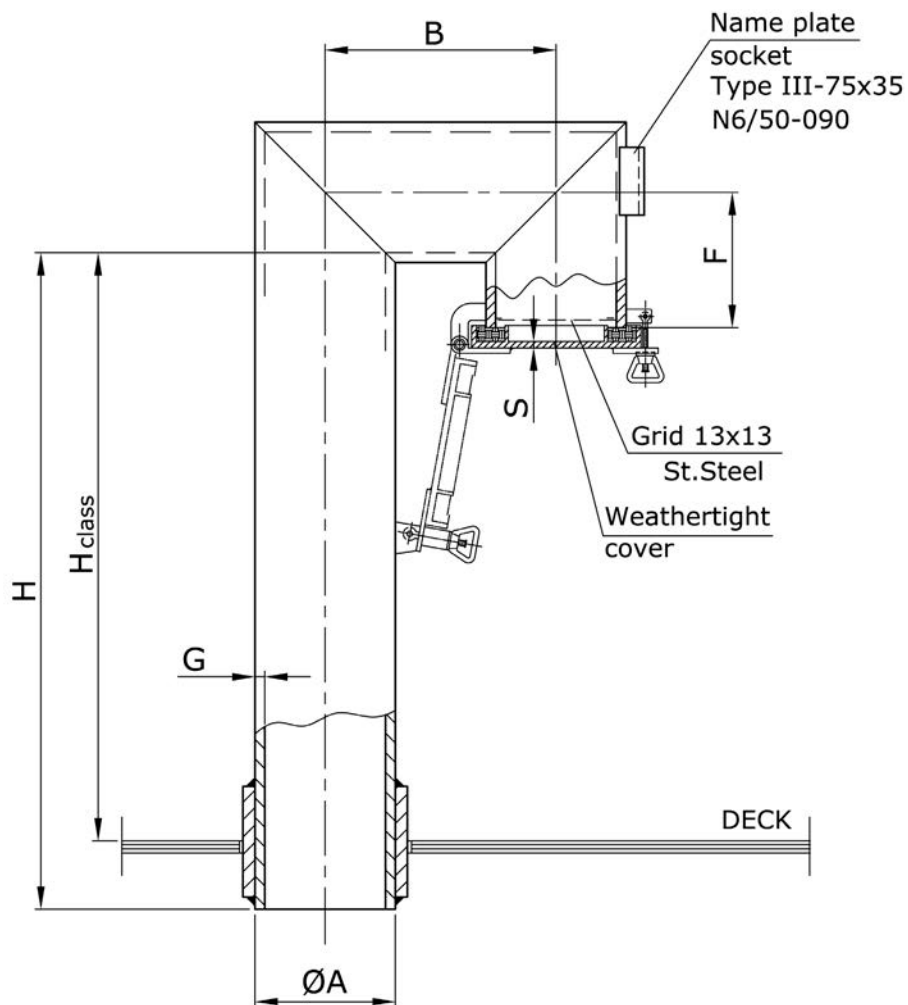
D – without reinforcing sleeve and with spiral pipe connection

E – with reinforcing flange



Dimensions H must be specified by the Customer.

Dimensions [mm]					
DN	ØAxG	B	F	S	ØC
50	60.3x6.3	100	6.3	4	76.1x7.1
65	76.1x6.3	120	6.3	4	90.6x6.3
80	88.9x6.3	135	6.3	4	101.6x5.0
100	114.3x8.0	150	8.0	4	133.6x8.8
125	139.7x8.8	180	8.8	4	161.5x10.0
160	168.3x8.8	220	8.8	5	193.7x12.0
200	219.1x10	280	8.8	5	245.7x11.0
250	273.0x10	380	8.8	5	299.5x12.5
315	323.9x10	440	8.8	5	350.5x12.5



MARKING

Example: GS type head of DN=125mm, of height H=900mm, with weathertight cover Z and of A type, made of steel: GS 125-900-ZA-St