

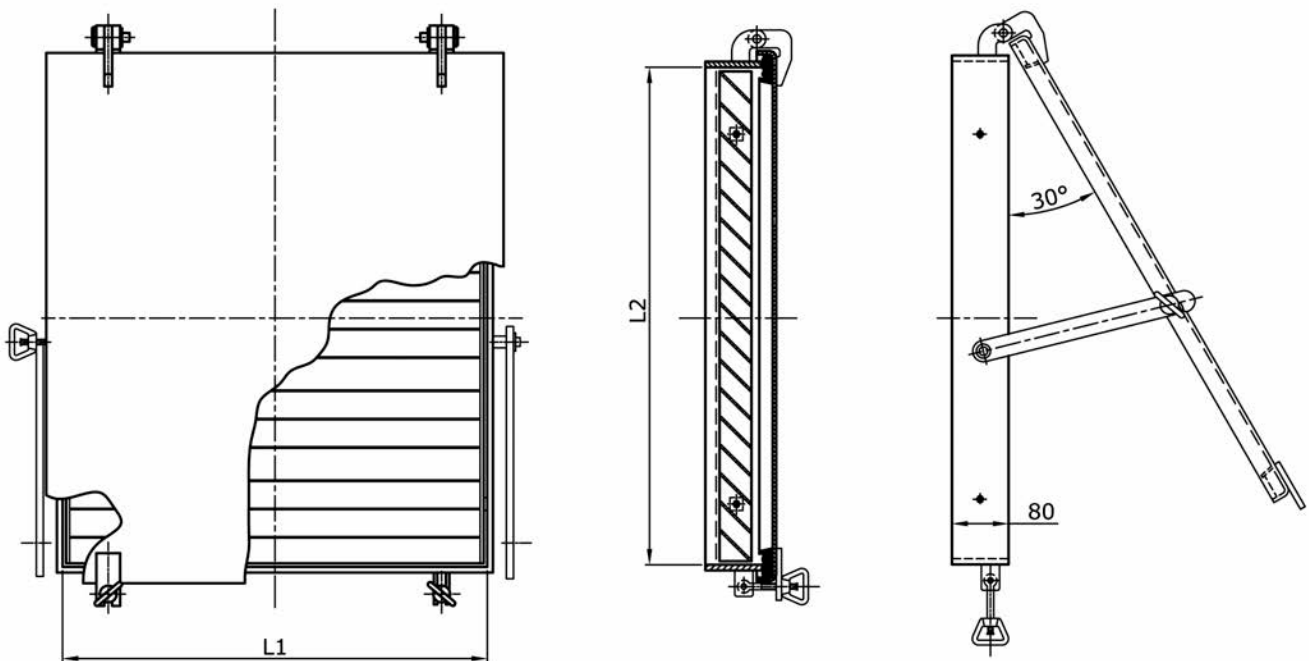
## DESCRIPTION

Ventilation louvers with tiltable weather-tight covers are destined for installation on steel or aluminum walls of superstructure on seagoing ships as air supply or exhaust units of ventilation systems. Construction is based on standard DIN 83409 norm with significant extending of size range. Louvers are provided with detachable blade frame that makes easy installation as well as access for maintenance. Arrangement of covers provides an additional protection against rain and sea water splashes as well as savings of space required for fitting of cover in open position. Steel louvers frame and cover are painted with marine epoxy paint SWA 7423-013-250, blade frame is hot-dip galvanized. Aluminum louvers do not require any preservation. Louvers can be delivered with non-standard dimensions on request.

## TECHNICAL SPECIFICATION & DIMENSIONS

### Fittings:

- 1 – louver with blade frame, without wire gauze
- 2 – louver with blade frame and wire gauze of 10mm mesh
- 3 – louver with wire gauze of 10mm mesh, without blade frame



## MARKING

**Example:** louver with tiltable cover, size  $L_1 \times L_2 = 900 \times 500$ , fittings 2, made of steel: 900x500-2-St