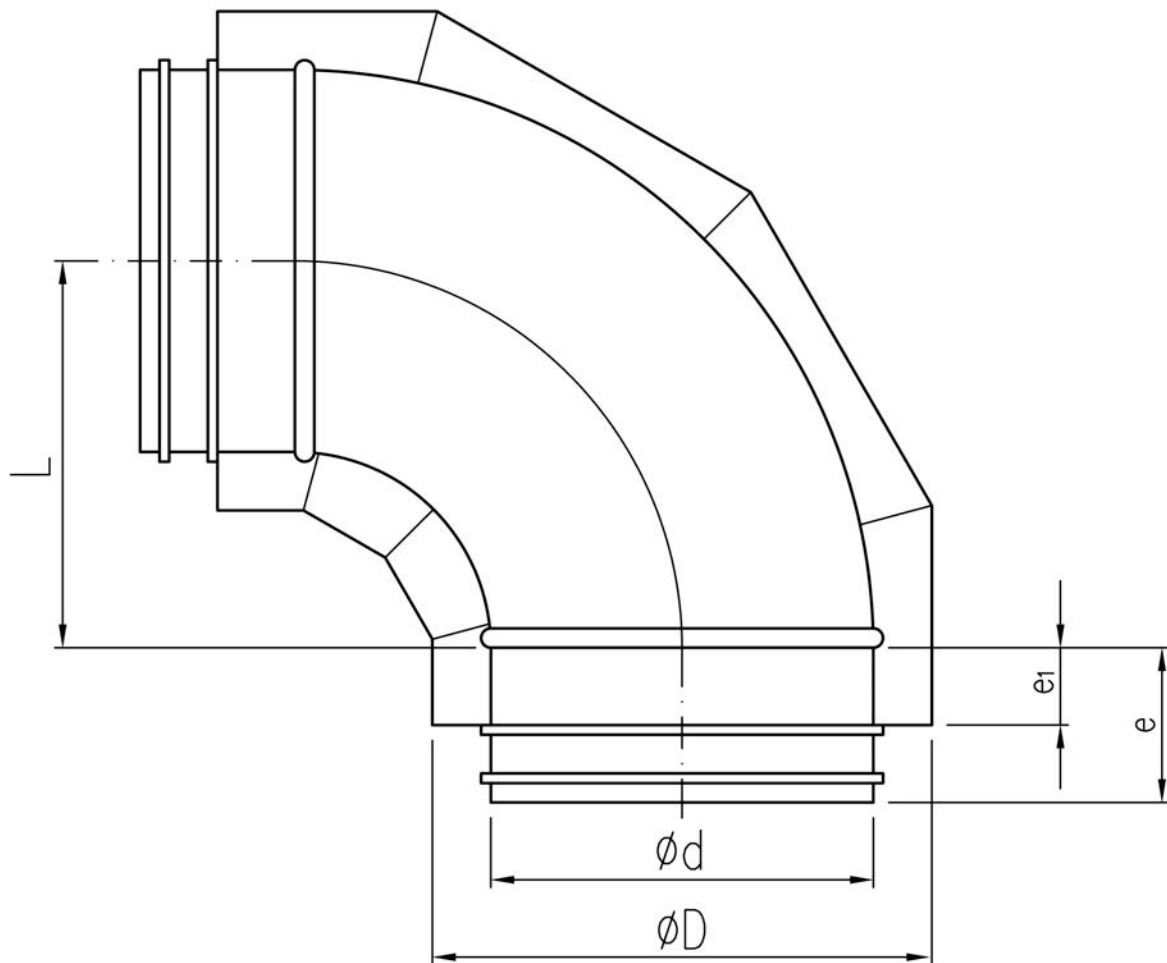
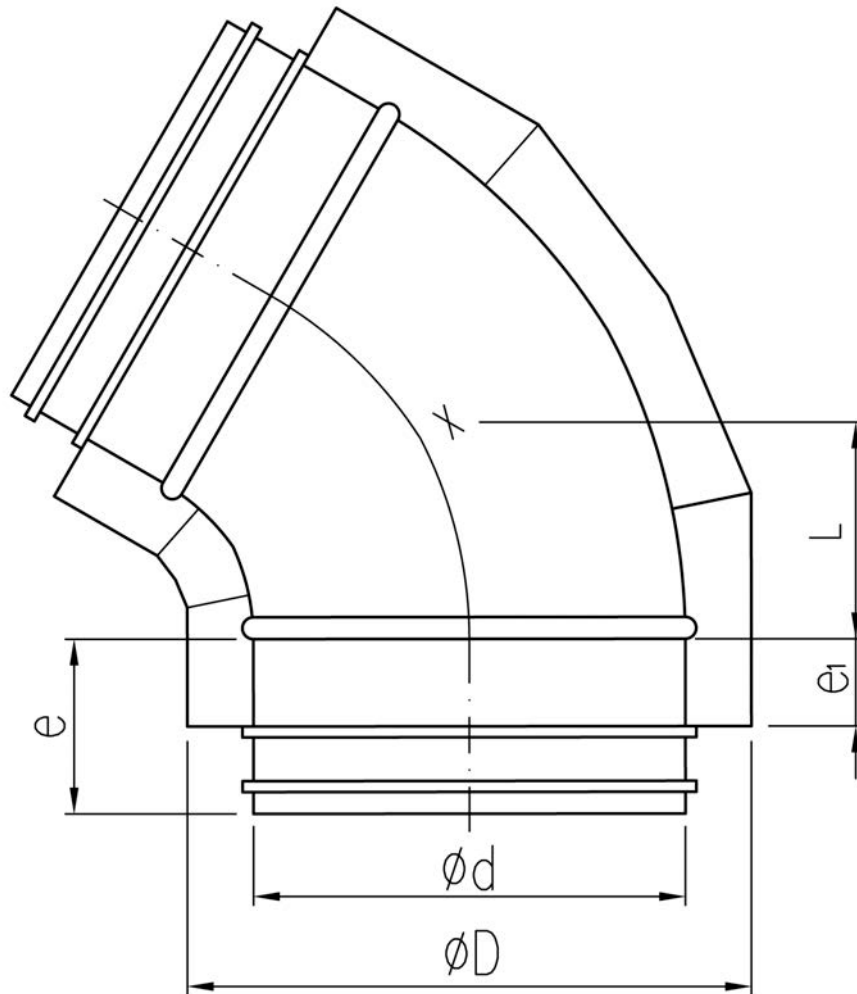


DESCRIPTION

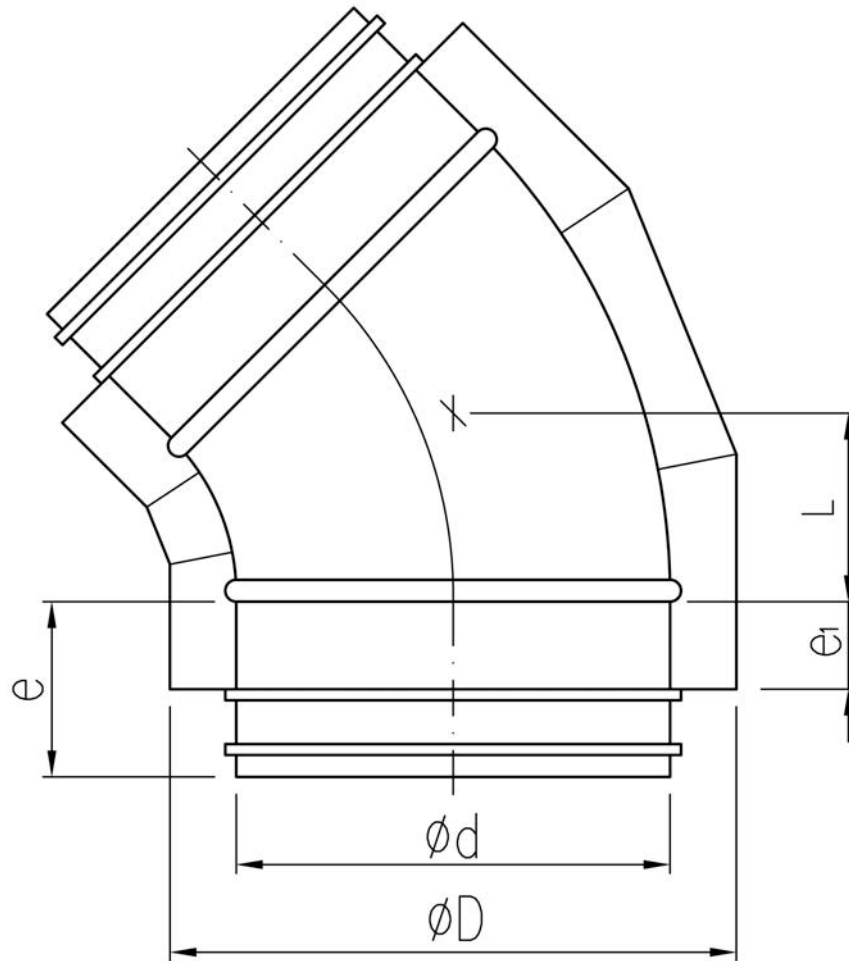
BFLI type bends are segmented elements with EPDM gasket. The bends ensure arrangement of ducts in many different directions. The bends are available in angle 90°, 60°, 45°, 30° and 15°. The elements are insulated with 16mm thick mineral wool.

DIMENSIONS
BFLI 90


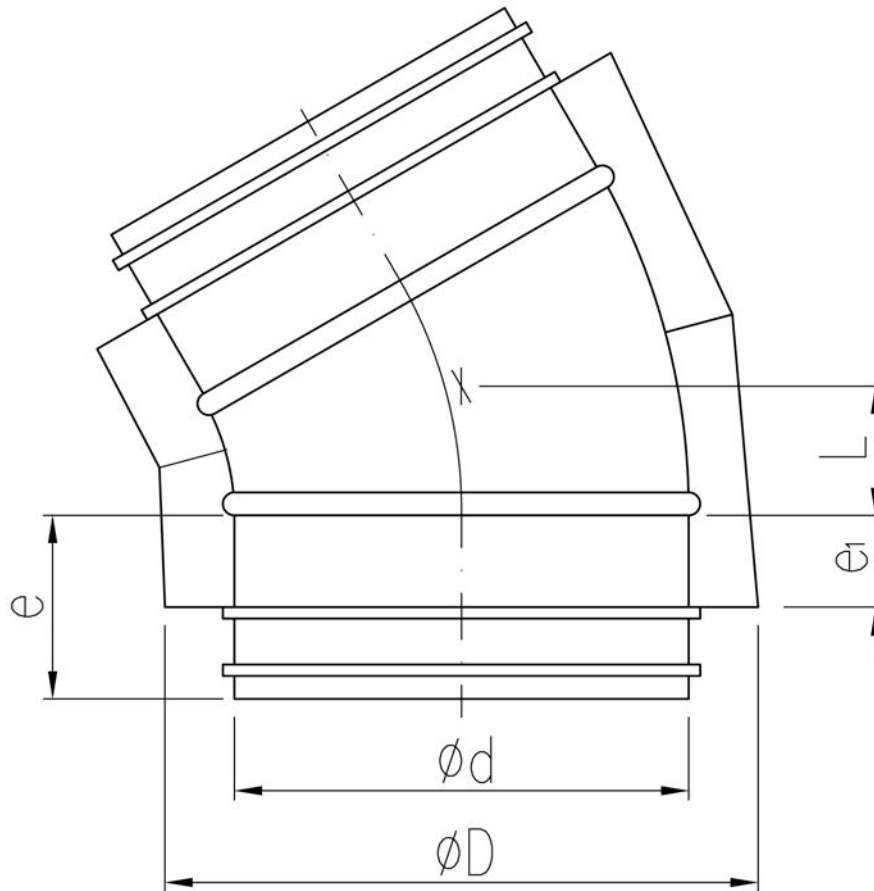
| Dimensions [mm] | | | Tolerance ϕd [mm] | | Weight [kg] |
|-----------------|----------|-----|-------------------------|----|-------------|
| ϕd | ϕD | L | e_1 | e | |
| 80 | 112 | 100 | 20 | 36 | 0.7 |
| 100 | 132 | 100 | 20 | 36 | 0.9 |
| 125 | 157 | 125 | 20 | 36 | 1.3 |
| 160 | 192 | 160 | 20 | 36 | 2.1 |
| 200 | 232 | 200 | 20 | 36 | 3.2 |
| 250 | 280 | 250 | 20 | 55 | 4.7 |

BFLI 60


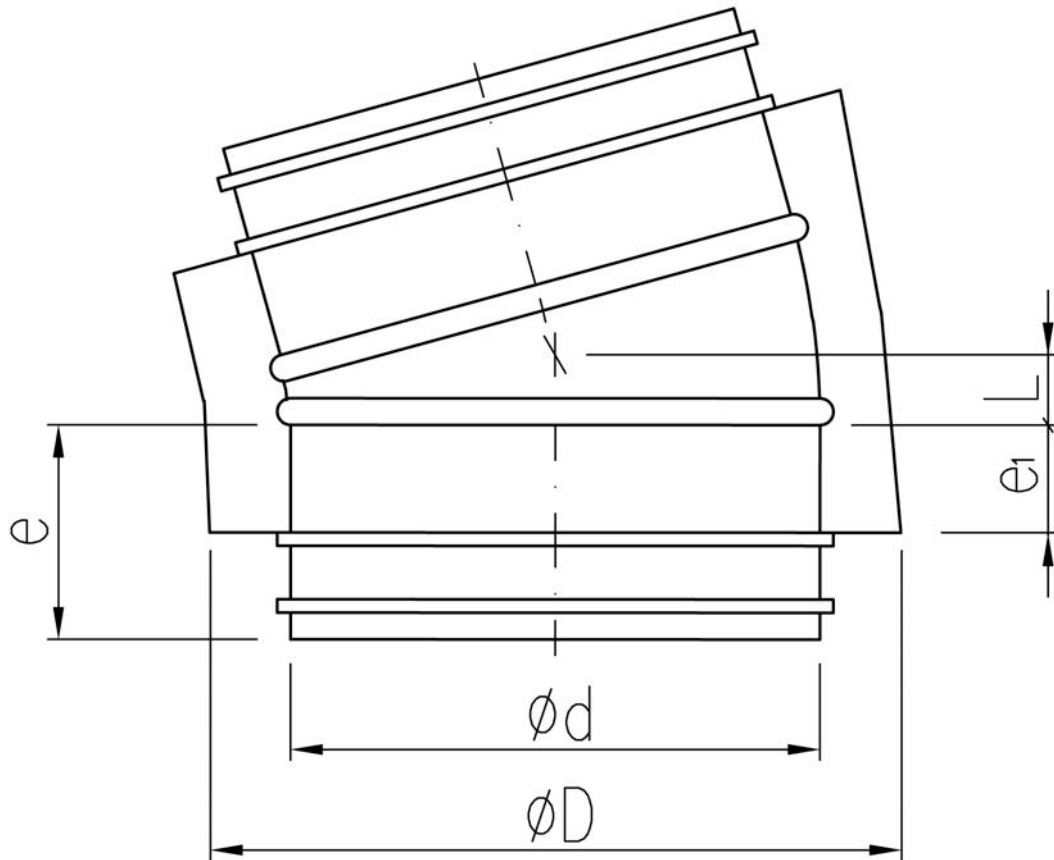
| Dimensions [mm] | | | Tolerance $\varnothing d$ [mm] | | Weight [kg] |
|-----------------|-----------------|-----|--------------------------------|----|-------------|
| $\varnothing d$ | $\varnothing D$ | L | e_1 | e | |
| 80 | 112 | 58 | 20 | 36 | 0.6 |
| 100 | 132 | 58 | 20 | 36 | 0.8 |
| 125 | 157 | 72 | 20 | 36 | 1.0 |
| 160 | 192 | 92 | 20 | 36 | 1.6 |
| 200 | 232 | 115 | 20 | 36 | 2.6 |
| 250 | 280 | 144 | 20 | 55 | 3.5 |

BFLI 45


| Dimensions [mm] | | | Tolerance $\varnothing d$ [mm] | | Weight [kg] |
|-----------------|-----------------|-----|--------------------------------|----|-------------|
| $\varnothing d$ | $\varnothing D$ | L | e_1 | e | |
| 80 | 112 | 41 | 20 | 36 | 0.5 |
| 100 | 132 | 41 | 20 | 36 | 0.6 |
| 125 | 157 | 52 | 20 | 36 | 0.8 |
| 160 | 192 | 66 | 20 | 36 | 1.1 |
| 200 | 232 | 83 | 20 | 36 | 1.8 |
| 250 | 280 | 104 | 20 | 55 | 2.6 |

BFLI 30


| Dimensions [mm] | | | Tolerance $\varnothing d$ [mm] | | Weight [kg] |
|-----------------|-----------------|----|--------------------------------|----|-------------|
| $\varnothing d$ | $\varnothing D$ | L | e_1 | e | |
| 80 | 112 | 27 | 20 | 36 | 0.4 |
| 100 | 132 | 27 | 20 | 36 | 0.5 |
| 125 | 157 | 33 | 20 | 36 | 0.6 |
| 160 | 192 | 43 | 20 | 36 | 0.9 |
| 200 | 232 | 54 | 20 | 36 | 1.3 |
| 250 | 280 | 67 | 20 | 55 | 2.3 |

BFLI 15


| Dimensions [mm] | | | Tolerance $\varnothing d$ [mm] | | Weight [kg] |
|-----------------|-----------------|----|--------------------------------|----|-------------|
| $\varnothing d$ | $\varnothing D$ | L | e_1 | e | |
| 80 | 112 | 13 | 20 | 36 | 0.3 |
| 100 | 132 | 13 | 20 | 36 | 0.5 |
| 125 | 157 | 16 | 20 | 36 | 0.5 |
| 160 | 192 | 21 | 20 | 36 | 0.8 |
| 200 | 232 | 26 | 20 | 36 | 1.0 |
| 250 | 280 | 33 | 20 | 55 | 1.5 |