

DESCRIPTION

The FEX fire dampers are type-approved class H0 (H120) fire dampers for use in offshore, nuclear and navy ventilation systems. These units are used to protect the integrity of bulkheads where they are penetrated by ventilation ducts. The FEX dampers can be installed in rectangular or circular ducts. Dampers have a fusible link and they prevent the spread of fire and gases (low-leakage model) within the ventilation ductwork. When the blades are in an open position, the device does not cause significant pressure loss, noise or flow disturbance. The FEX dampers are set from outside and are suitable to be installed in bulkheads. An open-closed label is visible on the outside of the damper. This type of damper has ATEX approved. Fixed frame and blades are made of stainless steel AISI 316L. Blades contain thermal expansion seals. Nominal release temperatures of fuses are 50°C, 74°C and 100°C degrees (other temperatures available). Maximum duct pressure for damper construction is 5000Pa and maximum air velocity is 15m/s. The FEX fire dampers are manufactured for both rectangular and circular ducts.

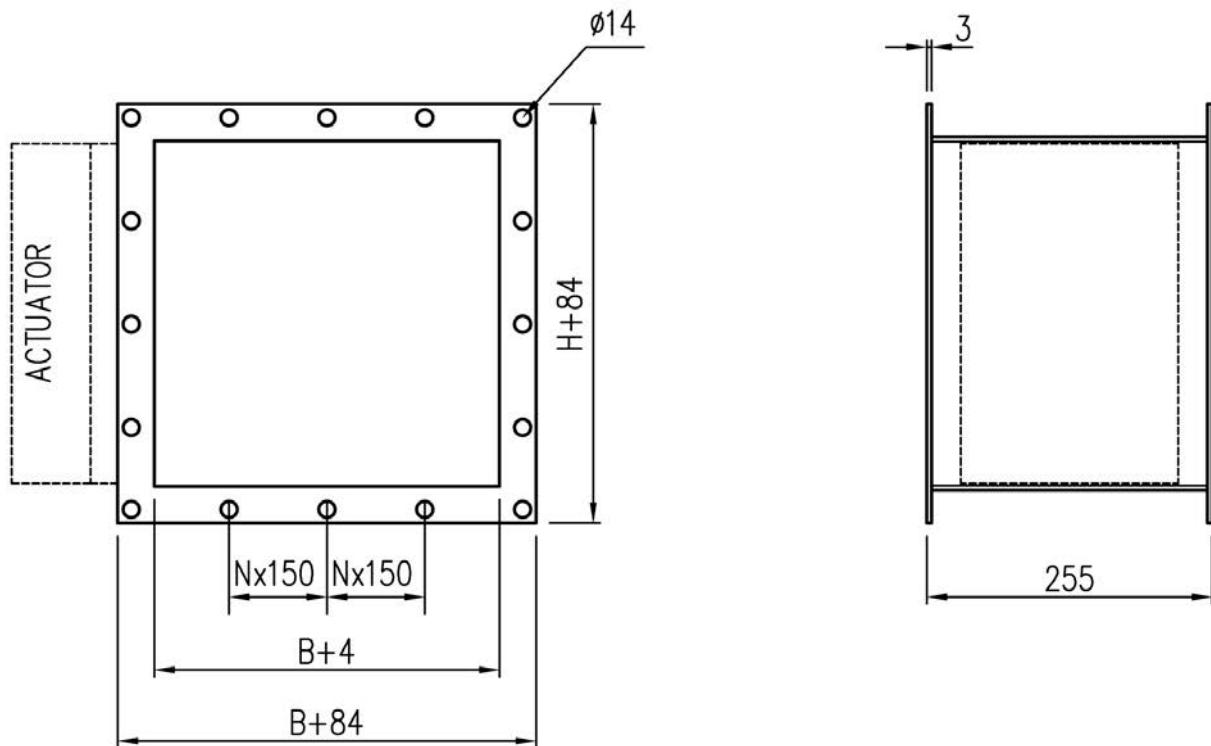
TECHNICAL SPECIFICATION & DIMENSIONS

- material frame: stainless steel (plain or painted)
- material blades: stainless steel
- material maintenance-free bearings: stainless steel (bronze bearings optional)
- material shafts: stainless steel

Sizes for rectangular ducts (BxH) are available from 100x100mm to 1200x1200mm in 1 mm increments of duct. Sizes for circular ducts (BxH) are available from diameter 100mm to 1250mm. Sizes of flange is 40mm as standard. Standard frame material thickness is 3mm. Blades are made of two sheets each of them being 1mm thick.

Weights [kg] of standard FEX dampers without an actuator

H [mm]	B [mm]											
	100	200	300	400	500	600	700	800	900	1000	1100	1200
100	6	8	10	12	14	17	19	21	23	25	27	29
200	8	11	13	15	17	19	22	24	26	28	30	32
300	11	14	16	18	20	23	25	27	30	32	34	37
400	13	16	18	21	23	26	28	31	33	35	38	40
500	16	19	22	24	27	30	32	35	38	40	43	46
600	18	21	24	27	30	33	35	38	41	44	47	50
700	21	24	27	30	33	37	40	43	46	49	52	55
800	23	27	30	33	36	39	43	46	49	52	56	59
900	26	30	33	37	40	43	47	50	54	57	61	64
1000	28	32	36	39	43	46	50	54	57	61	64	68
1100	31	35	39	43	46	50	54	58	62	66	69	73
1200	33	37	41	45	49	53	57	61	65	69	73	77

Rectangular connection


ØD [mm]	Weight [kg]	ØD [mm]	Weight [kg]
100	8	400	28
125	9	500	37
160	14	630	48
200	14	800	64
250	20	1000	86
315	21	1250	117

Circular with connection flanges
