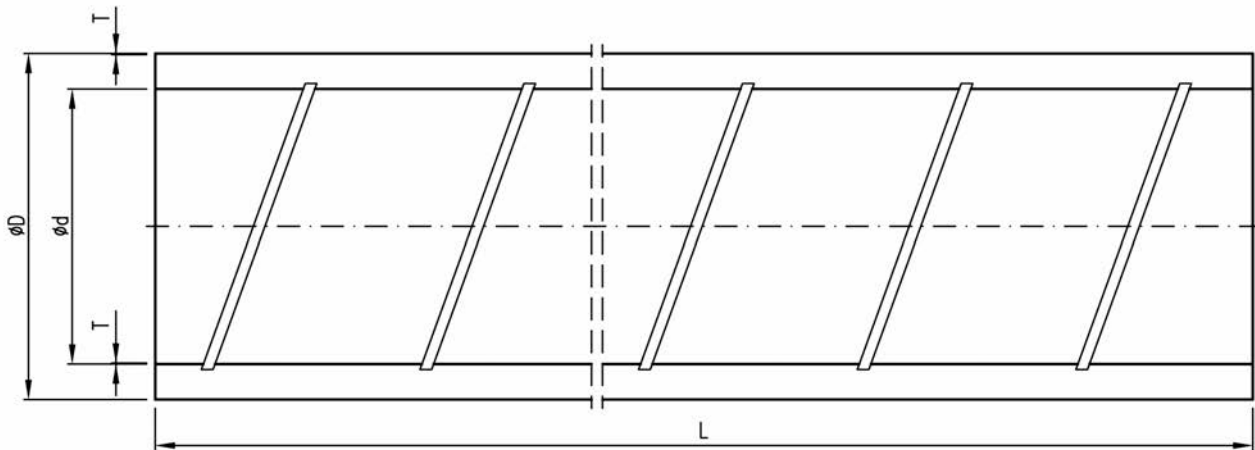


DESCRIPTION

Round spiral ducts are available in diameters from 80 to 250mm. This part of ductwork system is made of an inner and outer duct with a layer of insulation (16mm thick) in between. From diameter 250mm they are provided with external ribs to increase their stiffness and resistance to negative pressure.

DIMENSIONS


Dimensions [mm]				Weight [kg/m]
$\varnothing d$	$\varnothing D$	T	L	
80	112	0.5	3000	2.9
100	132	0.5	3000	3.5
125	157	0.5	3000	4.3
160	192	0.6	3000	5.4
200	232	0.6	3000	6.6
250	280	0.6	3000	8.1