

DESCRIPTION

Marine gas freeing fans WMOP type are destined for operation in gas dangerous areas classified as zone 0 acc. to IEC 79-10, where the use of electric motors is not allowed. They can be applied for gas freeing from tanks and holds of oil, gas and chemical carriers. WMOP type fans may be used as supply or exhaust fans. The casing of the fan is made of carbon steel, hot deep galvanized. Impeller of sea water resistive aluminum alloy AK11, statically and dynamically balanced. The casing from inside, in way of impeller, is lined with brass sheet, 2mm thick. Fan drive – water turbine WM 3,25 F 0,30 VENT made of bronze (for fresh or sea water). Water connection is Storz DN50 coupling or other, as per order type. Fan air inlet and outlet protected with wire mesh of stainless steel. The fan may be delivered with anti-static DN315 flexible hoses, adapter piece DN400/DN315 and with water hoses with Storz DN50 (or others), 15m long. Marking: WMOP 400/280-40°-Ex.

TECHNICAL SPECIFICATION

Operation parameters:

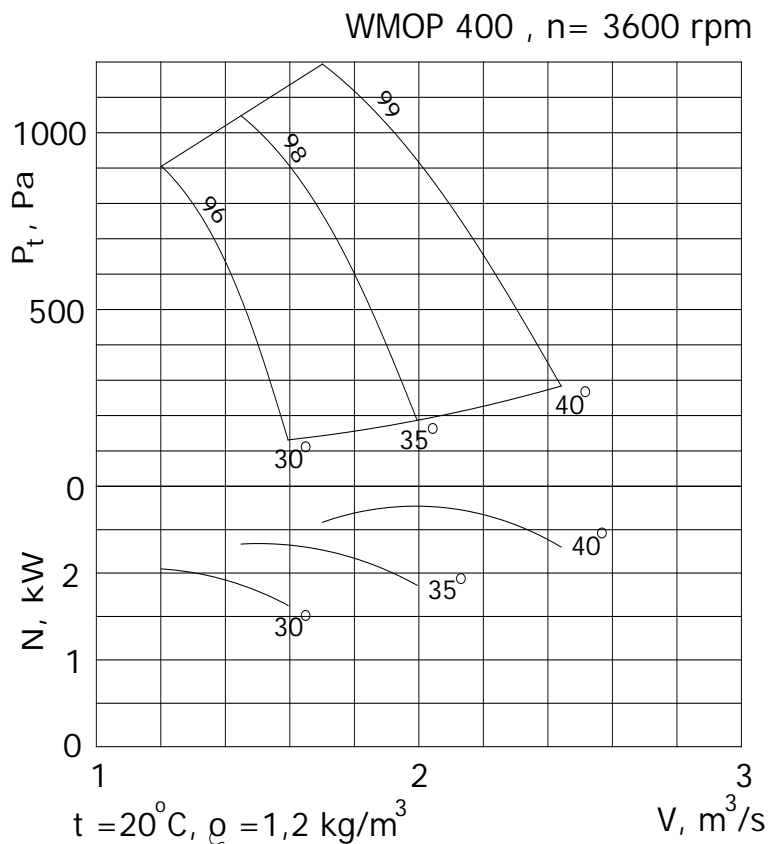
Supply water working pressure – 0,6MPa

Revolutions – 3600 min

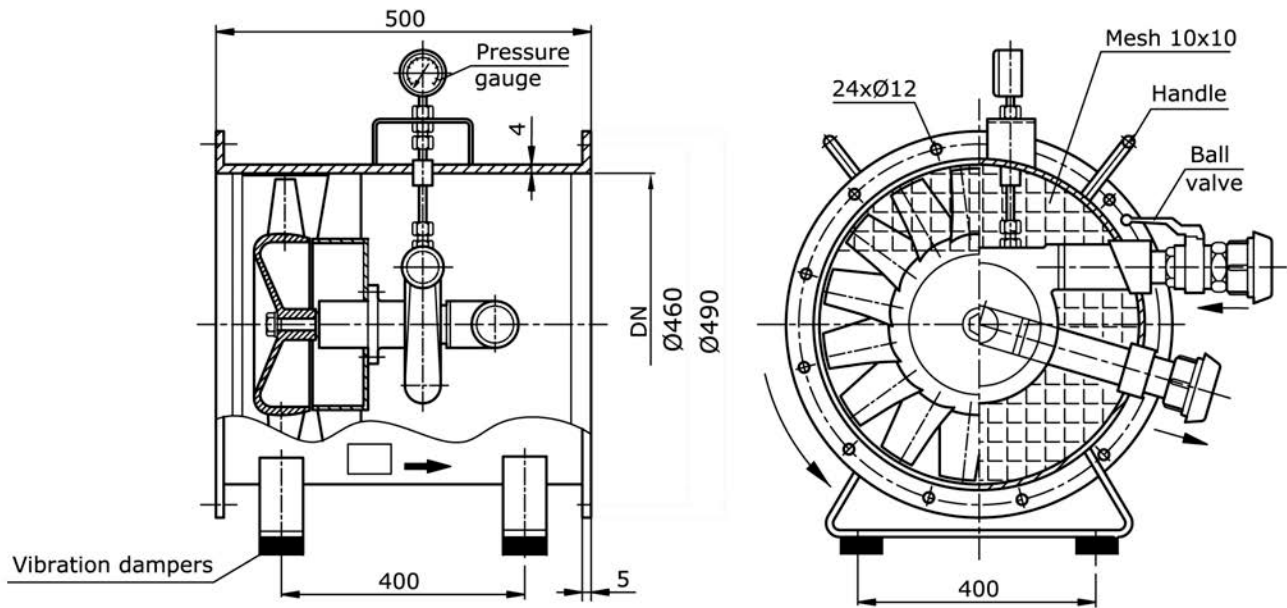
Rated power of water turbine – 3.0kW

Fan capacity/pressure – see diagram

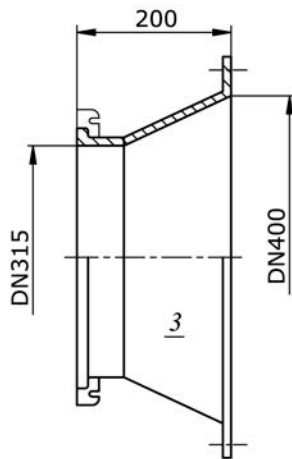
Fan total weight – 61kg



DIMENSIONS



ADAPTER PIECE



FLEXIBLE HOSE DN315

