

DESCRIPTION

Marine aluminum axial flow fans WOMA/Pn type with pneumatic drive are destined for operation in surrounding of chemically active vapors and gases. They may be applied on seagoing ships of unrestricted cruising area as well as on offshore objects. WOMA/Pn fans are of explosion proof execution. Housing is made of sea water resistant aluminum, provided with flexible hose connection. Impeller is made of aluminum alloy AK11, statically and dynamically balanced. The casing from inside, in way of impeller, is lined with brass sheet, 2mm thick. Air turbine shall be supplied with dry and clean compressed air of working pressure 4-6 bar. Air turbine is made of aluminum. Fan air inlet is provided with protective brass wire guard. Connection of compressed air fitted with isolating ball valve. Flexible hoses DN160 (see drawing) or DN315 (commercial type) are supplied on request.

MARKING

Example: WOMA/Pn type fan of nominal diameter DN=315mm, with blades pitch 40°:
WOMA/Pn 315-40°-Ex

TECHNICAL SPECIFICATION

Consumption of compressed air at 4bar working pressure:

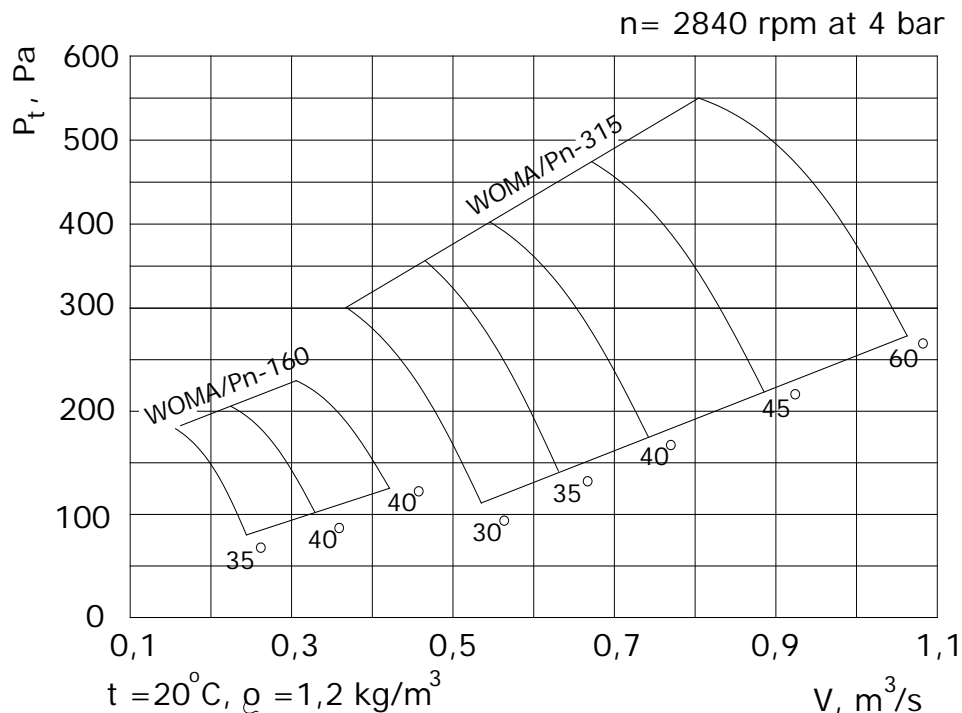
WOMA/Pn-160: 0.01m³/s

WOMA/Pn-315: 0.02m³/s

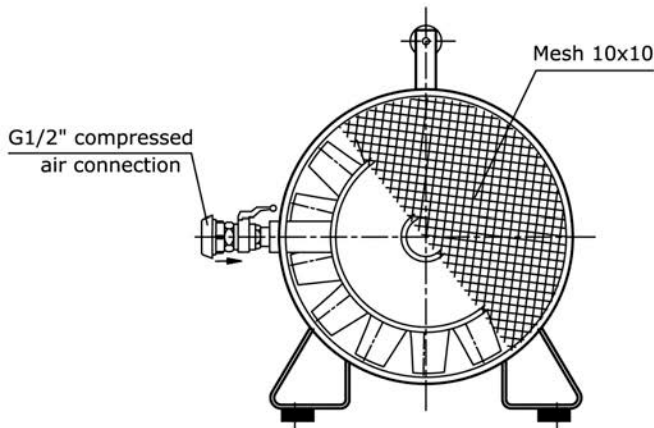
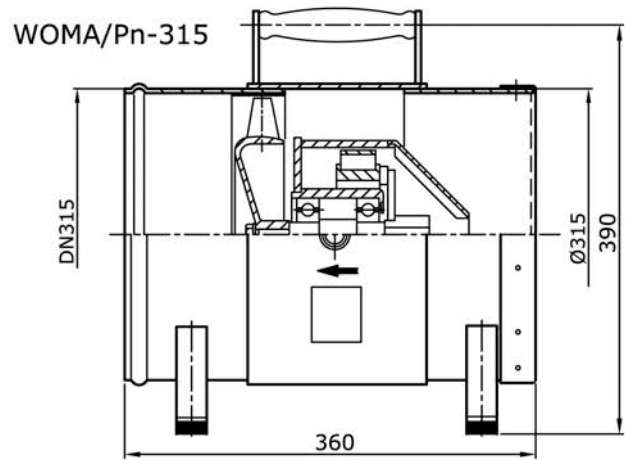
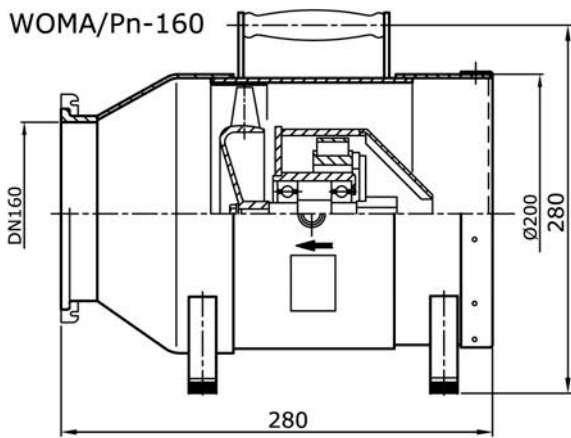
Fan weight:

WOMA/Pn-160: 8.2kg

WOMA/Pn-315: 15.0kg



DIMENSIONS



FLEXIBLE HOSE DN160

