

DESCRIPTION

The UTG dampers are used to shut-off and balance air flow rates in high pressure ductwork. Dampers meet international standards for rectangular and round ducts. In the open position, the blades face the direction of flow and do not cause a significant pressure loss. The UTG is used as a shut-off, gas and balancing damper in applications where tightness and reliability are important. Closed damper fulfills the leakage and exhaust requirement of NORSOK. Electrical, pneumatically or manual operation system is available. The UTG dampers can be supplied with connection pieces for round duct. Maximum duct pressure for damper construction is 5000Pa and maximum air velocity is 15m/s.

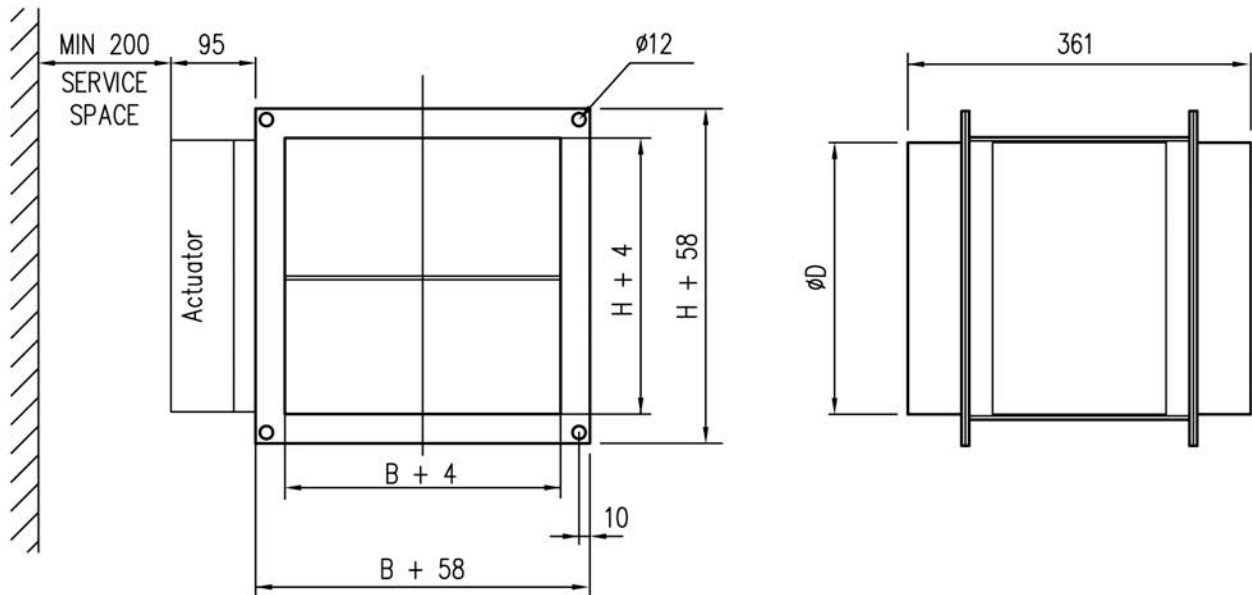
The UTG dampers meet international standards for both rectangular (width B 100-1200mm and height H 100-1600mm, 1mm division) and circular ducts (\varnothing 100-1250mm). Non-standard dimensions are available on request. Standard flange width is 27mm. Flanges and drilling are also available according to ISO 15138 standards. Modular construction sizes are available up to 2400x3200mm. Frame thickness is 3mm.

TECHNICAL SPECIFICATION & DIMENSIONS

- material frame: carbon steel (painted or galvanized) or stainless steel
- material blades: galvanized or stainless steel
- material maintenance-free bearings: stainless steel (bronze bearings available as option)
- material shafts: stainless steel

Weights [kg] of standard UTG dampers without an actuator

H [mm]	B [mm]											
	100	200	300	400	500	600	700	800	900	1000	1100	1200
100	4	6	7	9	10	12	13	15	16	17	19	20
200	6	8	9	11	13	14	16	17	19	21	22	24
300	8	10	12	14	15	17	19	21	22	24	26	28
400	10	12	14	16	18	20	22	23	25	27	29	31
500	13	15	17	19	21	23	25	28	30	32	34	36
600	15	17	19	21	24	26	28	30	33	35	37	39
700	17	20	22	25	27	29	32	34	37	39	42	44
800	19	22	24	27	29	32	35	37	40	43	45	48
900	21	24	27	30	33	36	38	41	44	47	50	53
1000	23	26	29	32	35	38	41	44	47	50	53	56
1100	26	29	32	35	38	42	45	48	51	55	58	61
1200	27	31	34	37	41	44	48	51	54	58	61	64
1300	30	33	37	41	44	48	51	55	58	62	66	69
1400	32	35	39	43	47	50	54	58	61	65	69	73
1500	34	38	42	46	50	54	58	62	66	70	74	77
1600	36	40	44	48	52	56	60	65	69	73	77	81


Circular connection

$\varnothing D$ [mm]	Weight [kg]
100	7
125	8
160	11
200	12
250	17
315	19

$\varnothing D$ [mm]	Weight [kg]
400	26
500	34
630	44
800	59
1000	80
1250	110

