

DESCRIPTION

Bulkhead vents VA are destined for installation in forced and natural ventilation systems of seagoing ships and offshore objects. They are provided with weather-tight rotating lid and shall be fitted in external aluminum walls. Pipes are made of PA2 aluminum. Bolts and sleeves are made of stainless steel, gasket – rubber profile. Surface treatment: not painted.

TECHNICAL SPECIFICATION & DIMENSIONS

Execution:

Z – with weather-tight cover

N – without closing device

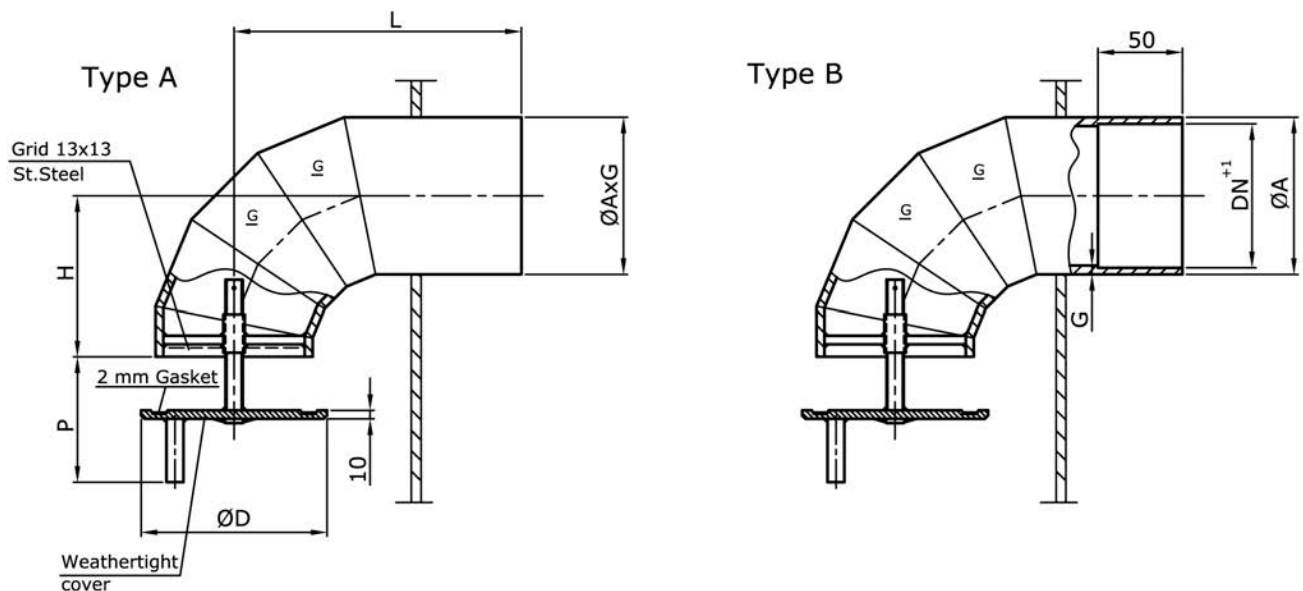
Types:

A – without spiral pipe connection

B – with spiral pipe connection

Dimension L must be specified by the Customer.

Dimensions [mm]				
DN	ØA x G	H	ØD	P
80	90x5.0	114	114	120
100	100x5.0	152	150	130
125	135x5.0	181	175	145
160	170x5.0	223	320	165
200	210x5.0	305	270	190
250	260x5.0	381	320	220
315	325x5.0	457	390	260



MARKING

Example: VA bulkhead vent of DN=125mm, of length L=200mm, with weathertight cover Z and of A type: VA 125-200-ZA-AI