

DESCRIPTION

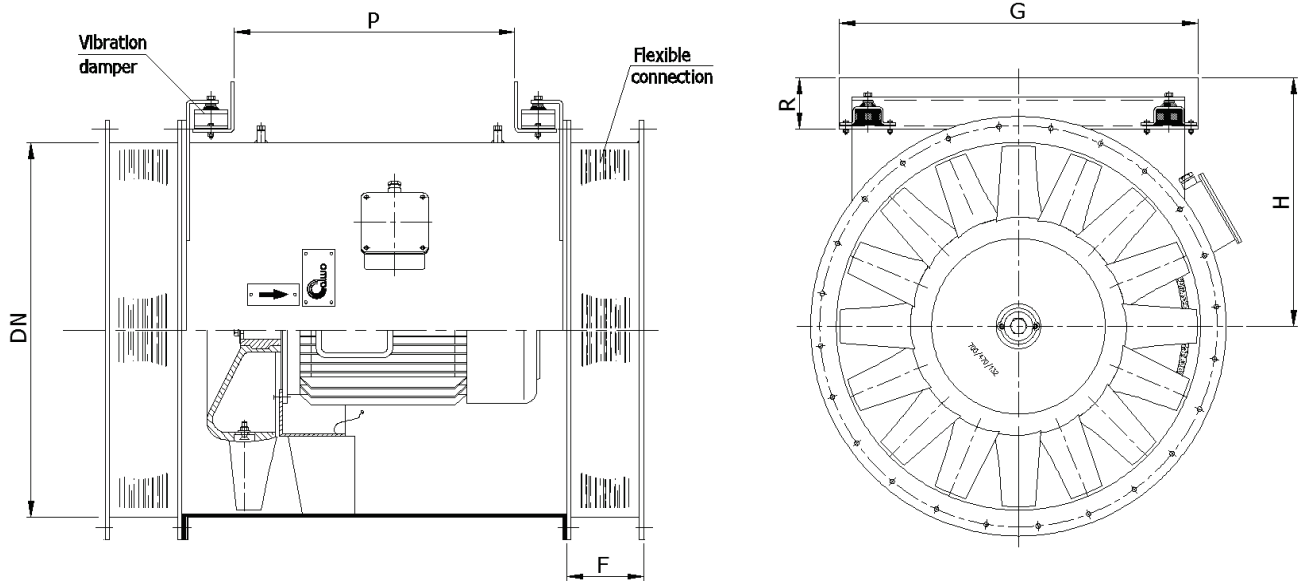
Resilient mounts of axial-flow fans WMOR execution L – light significantly reduces the transmission of vibrations and structure-born noise generated by fans installed in ships ventilation systems. Horizontal resilient mounts of axial-flow fans consists of steel bracket for welding to steel structure and a set of vibration dampers. Performance and number of dampers are selected individually in dependence of total weight of fan to be associated, as well as speed of fan's impeller. Fan inlet / outlet provided with flexible joints made of non-combustible material and sealed with rubber gaskets. Casing of fan is fitted with suspending brackets bolted to the housing. Surface treatment: painted with marine epoxy paint SWA 7423-014-250.

Ship structure in way of installation of fan to be suitably stiffened.

TECHNICAL SPECIFICATION & DIMENSIONS

Fan type	DN	G	R	H	P	F	Weight* [kg]
WMOR 200	200	260	80	200	220	125	13,4
WMOR 250	250	300	80	220	260	125	24,3
WMOR 315	315	350	80	250	260	125	22,5
WMOR 355	355	380	80	280	260	125	25,2
WMOR 400	400	400	80	300	350	125	27,3
WMOR 450	450	450	80	330	350	125	29,2
WMOR 500	500	500	100	370	450	150	33,3
WMOR 560	560	560	100	400	500	150	37,0
WMOR 630	630	630	100	440	450	150	44,7
WMOR 710	710	710	100	480	500	150	50,1
WMOR 800	800	800	120	550	500	150	55,8
WMOR 900	900	900	120	590	580	150	62,3
WMOR 1000	1000	1000	120	640	670	150	70,1

* Weight of the set without fan

**MARKING**

Example: horizontal resilient mounts of axial-flow fan WMOR 1000-L: WMOR H-1000.
Fan to be ordered separately.