

DESCRIPTION

The AP-type adaptor pieces are destined for direct connection of FDA automatic fire dampers with circular air pipework as Spiro piping (type S), thick-walled commercial marine pipes or bulkhead penetrations (type W) or pipes joined with standardized flanges (type F), pipes or bulkhead penetrations. Customised flanges dimensions on request.

The AP adaptor pieces are made of mild steel. Gasket made of non-combustible material and set of bolts and nuts included. Steel components of adaptor piece painted with marine epoxy paint. Bolts and nuts – galvanized.

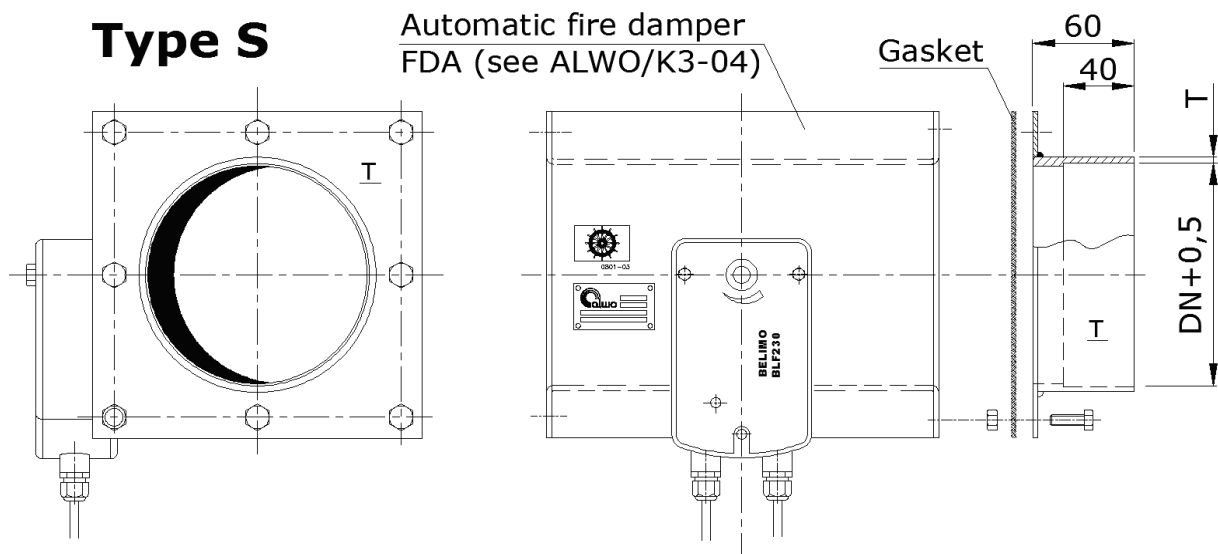
Nominal diameters – see Table Types:

- S – for Spiro pipe connection,
- W – for welding to thick-walled pipes,
- F – for flanged pipe connection.

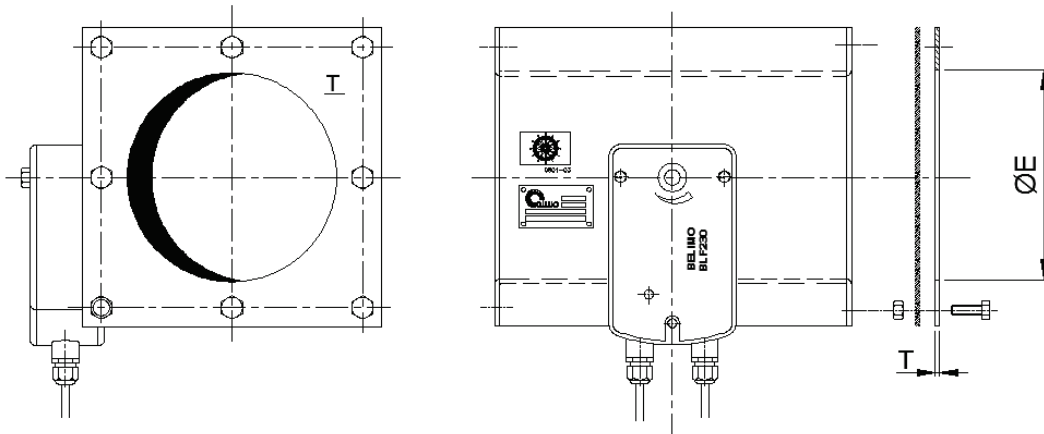
MARKING

Example: AP adaptor piece of nominal DN=125 and of type S: AP 125-S

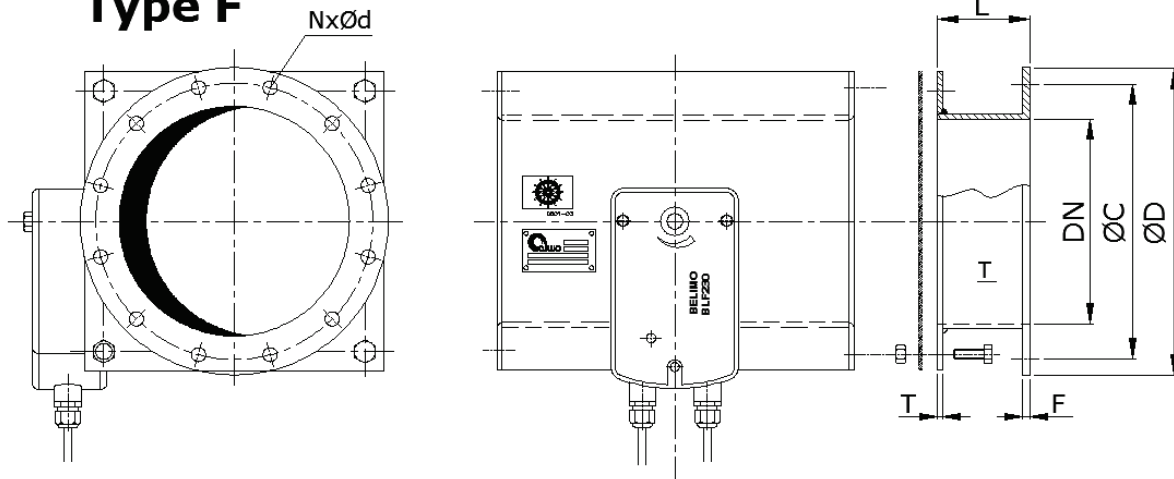
DIMENSIONS



Type W



Type F



FDA-AxB	DN	C	D	E	F	NxØd	L	T
100x100	100	160	190	110	5	8XØ12	50	3
125x125	125	185	215	135	5	8XØ12	50	3
160x160	160	220	250	170	5	8XØ12	50	3
200x200	200	260	290	221	5	8xØ12	50	3
250x250	250	310	340	250	5	8xØ12	50	3
315x315	315	370	405	325	5	12XØ12	50	3
400x400	400	460	490	400	5	12xØ12	50	4
500x500	500	560	590	500	8	16xØ12	60	4
560x560	560	640	690	560	8	16xØ14	60	5
630x630	630	695	730	630	8	16XØ14	60	5
710x710	710	775	810	710	8	24XØ14	60	5
800x800	800	865	900	800	8	24xØ14	60	5
900x900	900	965	1000	900	10	32xØ14	60	5
1000x1000	1000	1065	1100	1000	10	32xØ14	60	5