

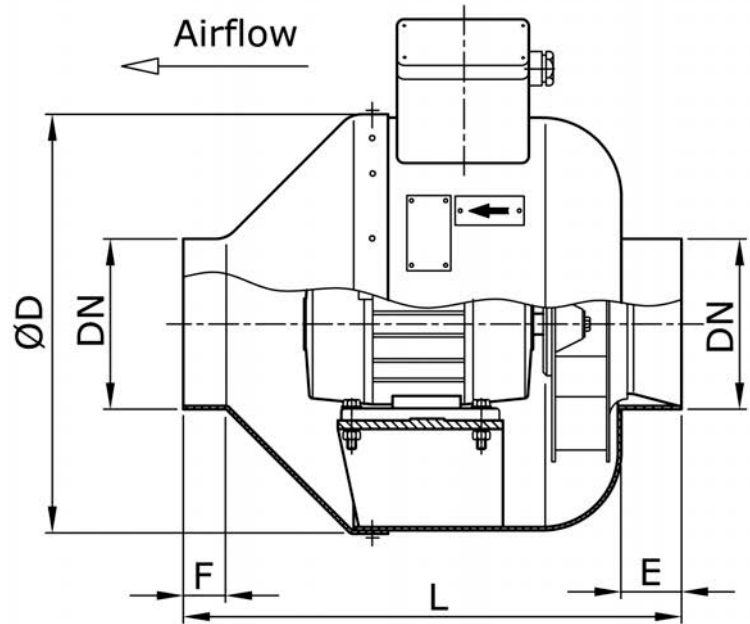
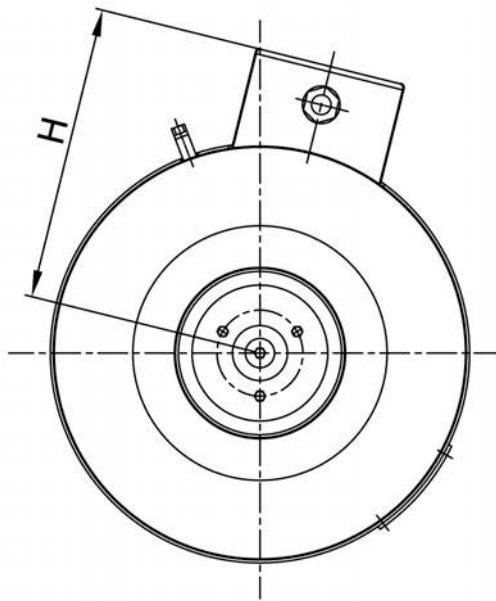
DESCRIPTION

Marine duct fans WMR type are destined for operation in ventilation systems of seagoing of unrestricted cruising area as well as offshore objects. Temperature of conveyed medium must not exceed +45°C, dust contents 0,3g/m³. Casing and impeller of WMR fans are made of PA2 aluminum sheets, welded. On the casing a terminal box with G20 cable gland, for feeding cable connection, is fitted. Electric motor: induction, squirrel-type, three-phase, of IP55 enclosure, in marine execution.

TECHNICAL SPECIFICATION & DIMENSIONS

Type		WMR100/L	WMR125/L	WMR160/L	WMR200/M	WMR200/K	WMR200/L
DN		100	125	160	200	200	200
Power consumption [kW]		0.05	0.07	0.13	0.21	0.32	0.40
Electric motor	Revolutions [1/min]	2800	2800	2760	2760	2800	2790
	Supply [V/Hz]	3x380/50	3x380/50	3x380/50	3x380/50	3x380/50	3x380/50
Weight [kg]		4.4	5.0	7.8	9.3	11.8	14.0
Max. noise level [dB(A)]		65	71	74	75	76	78
Power consumption [kW]		0.07	0.10	0.21	0.28	0,39	0.59
Electric motor	Revolutions [1/min]	3380	3380	3330	3400	3400	3400
	Supply [V/Hz]	3x440/60	3x440/60	3x440/60	3x440/60	3x440/60	3x440/60
Weight [kg]		4.4	5.0	7.8	9.6	11.8	14.0
Max. noise level [dB(A)]		69	74	77	78	80	81

Fan type	Dimensions [mm]					
	DN	ØD	L	H	E	F
100/L	100	244	290	175	35	25
125/L	125	264	315	185	35	25
160/L	160	338	340	225	35	25
200/M	200	338	400	225	40	30
200/K	200	378	400	250	40	30
200/L	200	418	400	266	40	30



PERFORMANCE CHART
